

Specifications:

Product Name: Pole Bin

Product #: 1106

Maximum Bin Weight: 10lbs (4.5kg)

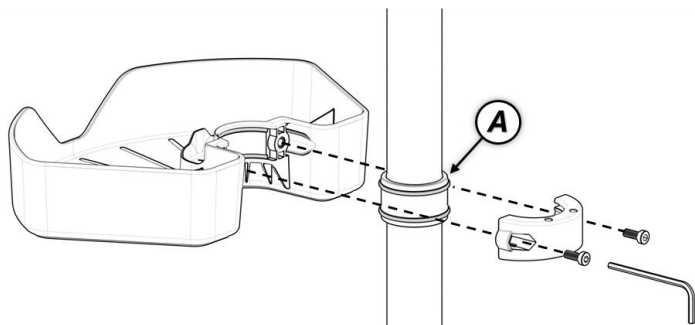
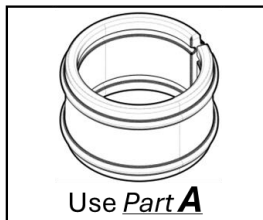
Compatibility: All Stander, Able Life, Signature Life and Wonder Poles.

Cleaning: Clean product with warm water and soap. Dry thoroughly before using.

Recycling: Product should be recycled in accordance with national guidelines.

1. Identify which Pole you are installing on and use the corresponding Bushing (Part **A** or **B**) shown below. Place Bushing **A** or **B** around Pole at desired height and screw together in an alternating pattern, (tighten both sides evenly) as shown in *Figure 1*.

Installation for Stander, Able Life and Wonder Poles



Installation for Signature Life Pole (Groove in Pole)

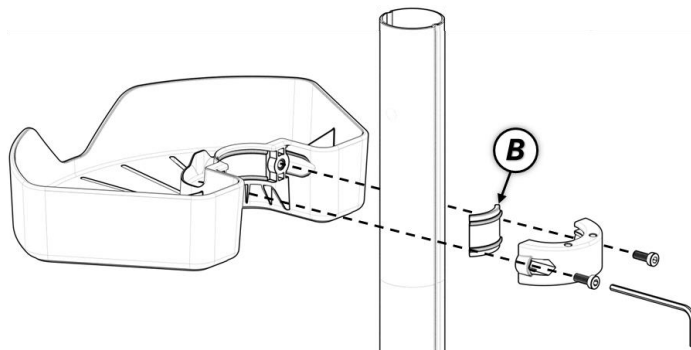
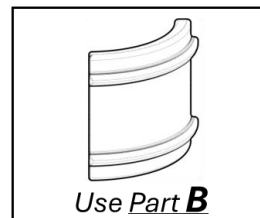


FIGURE 1