

OWNERS MANUAL

1100 Wonder Pole

WARNING: Do not assemble, or use product until you have reviewed and understand the included:

- SAFETY WARNINGS
- ASSEMBLY INSTRUCTIONS

Keep this manual for future reference.

Installer/Assembler: Leave these instructions with the consumer.

For questions or clarification, contact Stander at (800) 506-9901 or (435) 755-0453

2410 Heritage Dr. Logan UT 84321 sales@stander.com www.stander.com

English- For Owners Manual in English: www.stander.com/product-manuals

Español- Para manual del propietario en Español: www.stander.com/product-manuals

Deutsch- Für das Benutzerhandbuch auf Deutsch: www.stander.com/product-manuals

Français- Pour le manuel du propriétaire en Français: www.stander.com/product-manuals

Italiano- Per il manuale del proprietario in Italiano: www.stander.com/product-manuals



LIMITED LIFETIME WARRANTY

To register your product for a Limited Lifetime Warranty, please visit stander.com/product-registration.

Stander, Inc. ("Stander") warrants to the original purchaser that the Product will be free from material defects in material or workmanship for the lifetime of the product. This limited lifetime warranty applies only when the Product is used consistent with the Product's specifications and is non-transferable and shall solely be applicable to the original purchaser.

In the event of a warranty claim, the original purchaser must notify Stander, during the warranty period, in writing of the alleged defect in workmanship or material and must ship the Product, along with the proof of purchase, to Stander.

All shipping costs must be paid by the original purchaser. Stander will not refund or pay for any shipping charges.

If Stander determines, upon its sole determination, that there is a material defect in the material or workmanship of the Product, Stander will either send replacement parts or, if needed, replace the product and ship a replacement product or parts to the original purchaser.

The limited lifetime warranty does NOT apply to any Product:

- (1) That has been damaged in any way.
- (2) That has been altered or modified in any way or is used with any unauthorized attachments.
- (3) That was not properly installed or that was not used in accordance with the instructions provided by Stander.
- (4) That was used for purposes other than those for which the Product was designed or intended.
- (5) Damaged due to abuse, misuse, mishandling, neglect, misapplication, accident or abnormal use or storage.

STANDER MAKES NO WARRANTIES OTHER THAN THOSE EXPRESSLY SET FORTH HEREIN. ALL OTHER WARRANTIES, EXPRESS OR IMPLIED INCLUDING ALL (I) IMPLIED WARRANTIES OF MERCHANTABILITY OR FITNESS FOR A PARTICULAR PURPOSE, OR (II) IMPLIED WARRANTIES ARISING FROM ANY COURSE OF DEALING, USAGE OF TRADE, ADVERTISING OR PERFORMANCE OF PRODUCTS TO STANDARDS SPECIFIC TO THE COUNTRY OF IMPORT, ARE HEREBY EXPRESSLY DISCLAIMED.

THIS LIMITED LIFETIME WARRANTY IS THE FULL AND COMPLETE STATEMENT OF STANDER'S LIMITED LIFETIME WARRANTY OF THE PRODUCT, CONSTITUTES THE ENTIRE AND COMPLETELY INTEGRATED LIMITED LIFETIME WARRANTY OF STANDER, SUPERSEDES ALL OTHER STATEMENTS, AND CANNOT BE VARIED BY ANY ORAL OR OTHER WRITTEN STATEMENT.

THE EXCLUSIVE REMEDY FOR BREACH OF THIS LIMITED LIFETIME WARRANTY IS TO RETURN THE PRODUCT FOR THE REPLACEMENT OF THE NONCONFORMING PRODUCT.

UNDER NO CIRCUMSTANCES SHALL STANDER, INC. BE LIABLE FOR ANY SPECIAL, INCIDENTAL, EXEMPLARY, PUNITIVE, CONSEQUENTIAL DAMAGES, OR OTHER DAMAGES, BASED UPON BREACH OF THIS LIMITED WARRANTY, BREACH OF CONTRACT, OR STRICT LIABILITY.

Some states do not allow limitations on how long an implied warranty lasts. This warranty gives you specific legal rights, and you may also have other rights which vary from state to state. To obtain service under this Limited Warranty, you can reach Stander at (800) 506-9901 or (435) 755-0453.

DISCLAIMER: Neither Stander nor the manufacturer will be liable for any harm or injury that results from the improper use or assembly of the product.

Do not use or attempt to install this product unless you read and understand these warnings and follow all instructions.



BEO MedConsulting Berlin GmbH
Helmholtzstr. 2-9
10587 Berlin, Germany



SAFETY WARNINGS

- a) NEVER use product unless installed per ASSEMBLY INSTRUCTIONS. If you have any questions about compatibility, installation, or safe use, please contact Stander at (800) 506-9901 or (435) 755-0453. Serious injury or harm can result if the product is not properly installed.
- b) This product is for adult use only and is intended to assist disabled persons by providing minimal to moderate weight support while standing or sitting.
- c) This product is NEVER to be used by people with Alzheimer's disease, dementia, restlessness, or those who are sedated, confused or frail. Pole must be installed with enough distance from any bed, wall, furniture or any other object to be able to walk completely around the pole. Placing the pole too close to another object could result in entrapment between the pole and the other object if the user falls. Entrapment between the pole and another object may cause death or serious injury.
- d) Do NOT install product if the ceiling is angled, suspended or if the distance between the floor and the ceiling is more than 9 feet 6 inches. Do NOT install this product if the ceiling condition allows the top of the product to slip or move when pulled against. The vertical pole of the product must be securely installed perpendicular to the floor and ceiling. All protective rubber pads must fully engage the ceiling and floor with an equally distributed force to prevent any movement during use. Do NOT install the product on a rug or any type of floor condition that would allow the base of the pole to slide or slip. If the product moves when used, the product is not safe to use and must be removed immediately.
- e) Do NOT alter the product in any way or use of the product for any reason other than to provide limited support during the process of standing and sitting.
- f) Check the product daily to make sure it is installed and positioned as per the ASSEMBLY INSTRUCTIONS, that there is no damage to the product and that it is clean and free of any substance that may make the product or the floor slippery.
- g) NEVER install product inside of bathtub or shower or on a floor that is frequently wet.
- h) NEVER attach any items or objects to this product, except Stander Pole accessories.
- i) Children should not be allowed to hang on or play with this product.
- j) Do NOT use this product if you weigh over 300 lbs (136kgs).
- k) If this product is used in a nursing home, assisted living center, or a similar facility, follow these instructions and all of the facility's assistive device and grab bar policies. DO NOT install or use this product if it does not comply with the facility's policies.
- l) If product is removed, DO NOT reinstall until you have read and fully understand the included SAFETY WARNINGS and ASSEMBLY INSTRUCTIONS.
- m) If you have any questions regarding the safe installation or use of this product, associated risks, or anything at all regarding this product call Stander at (800) 506-9901 or (435) 755-0453.
- n) In the rare possibility of a serious event with any Stander product, contact a customer service representative at (800) 506-9901 or (435) 755-0453 immediately. Also report to the competent authority of your member state. A serious event is defined as death or serious deterioration in health that results in a life-threatening illness or injury, permanent impairment, hospitalization, or surgical intervention.

WARNING ENTRAPMENT, STRANGULATION, SUFFOCATION AND FALL HAZARD

This product is NEVER to be used by people with Alzheimer's disease, dementia, restlessness, or those who are sedated, confused or frail. Pole must be installed with enough distance from any bed, wall, furniture or any other object to be able to walk completely around the pole. Placing the pole too close to another object could result in entrapment between the pole and the other object if the user falls. Entrapment between the pole and another object may cause death or serious injury.

ASSEMBLY INSTRUCTIONS

WARNING: Do not begin assembly until you have reviewed and understand the included SAFETY WARNINGS

For questions or clarification, contact Stander at (800) 506-9901 or (435) 755-0453 before proceeding.

Failure to follow these instructions increases the risk of entrapment, serious injury, or death.

Specifications:

Product Name: Wonder Pole

Product #: 1100

Maximum User Weight: 300lbs (136kg)

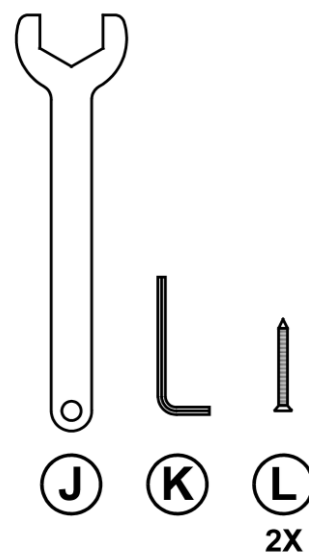
Ceiling Height Range: 7' - 9'6" (2.13 - 2.9m)

Compatibility: Not intended for use on angled ceilings, suspended ceilings or inside a shower/bathtub.

Cleaning: Clean product with warm water and soap. Dry thoroughly before using.

Recycling: Product should be recycled in accordance with national guidelines.

Hardware / Tools



1. Remove product from box and identify all parts as shown in *FIGURE 1*. For extra security, see step 6 prior to assembly.

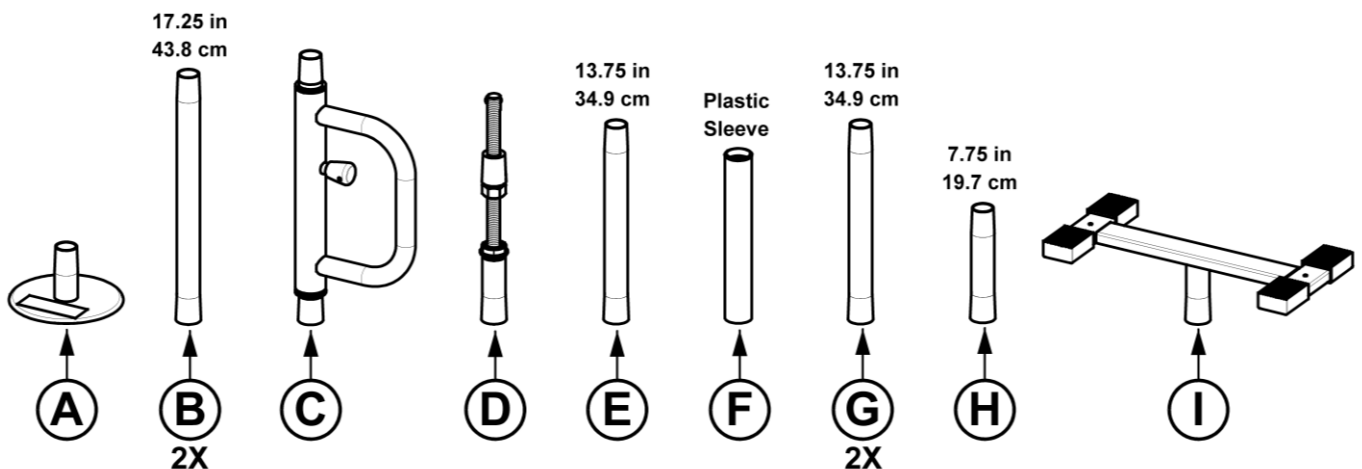


FIGURE 1

2. Stack each part as shown in *FIGURE 2*. Plastic Sleeve **F** will fit over Tube **E** and cover the threaded portion of **D**.

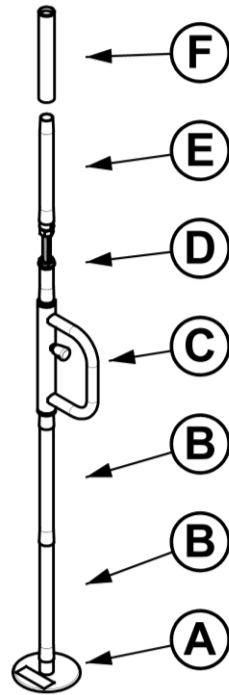


FIGURE 2

3. Measure your ceiling height and determine which additional parts will be needed as shown in *FIGURE 3*. Top **I** will always be the last part installed.

NOTE: For all but the tallest configuration, there will be extra tubes left over.

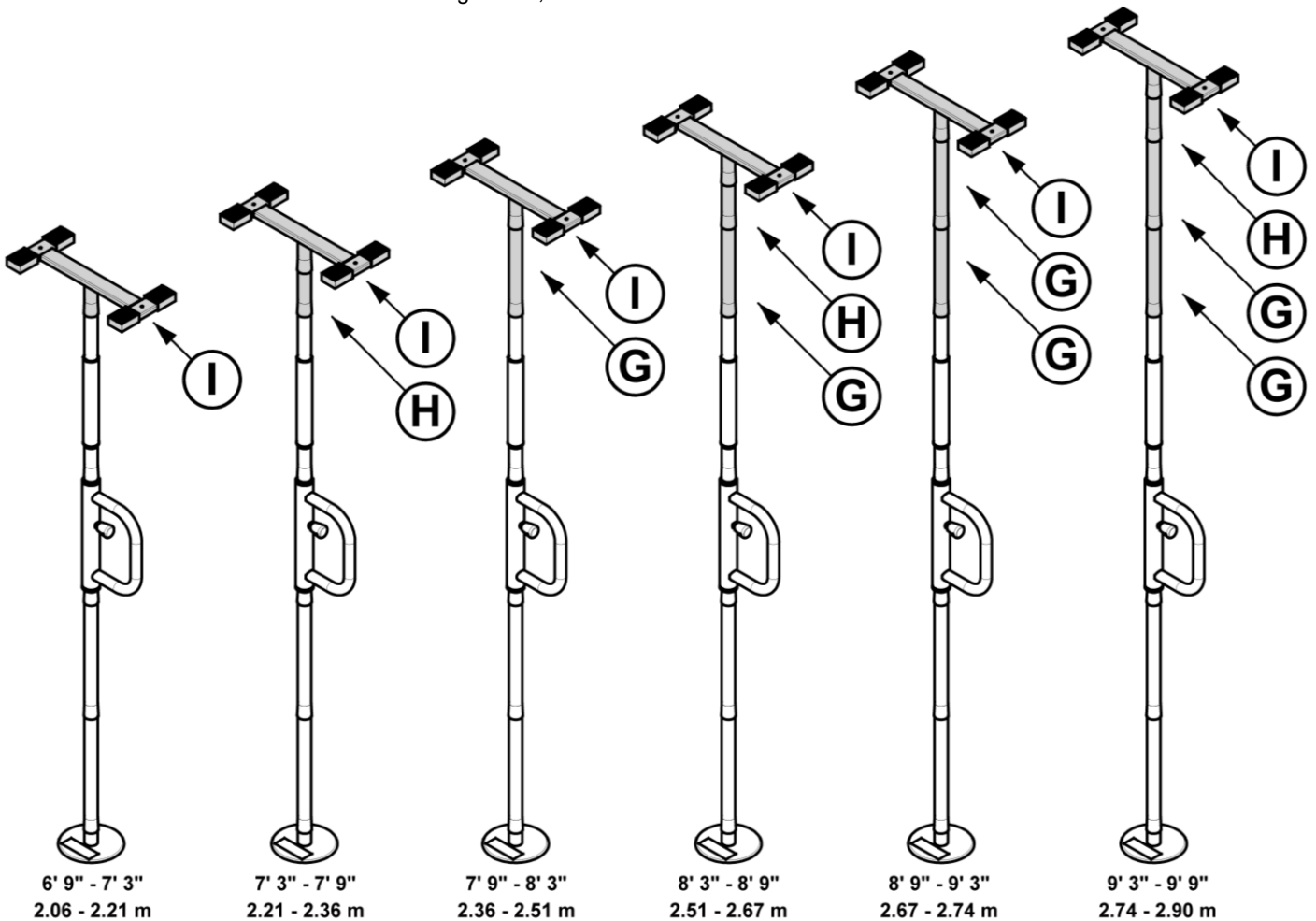


FIGURE 3

4. Ensure that the product is completely vertical. Rotate the nut on Threaded Section **D** counterclockwise using Wrench **J** as shown in *FIGURE 4*. The product must be secured between the floor and ceiling with ABSOLUTELY NO sliding of the product between them. Tighten the set screw using Tool **K**.

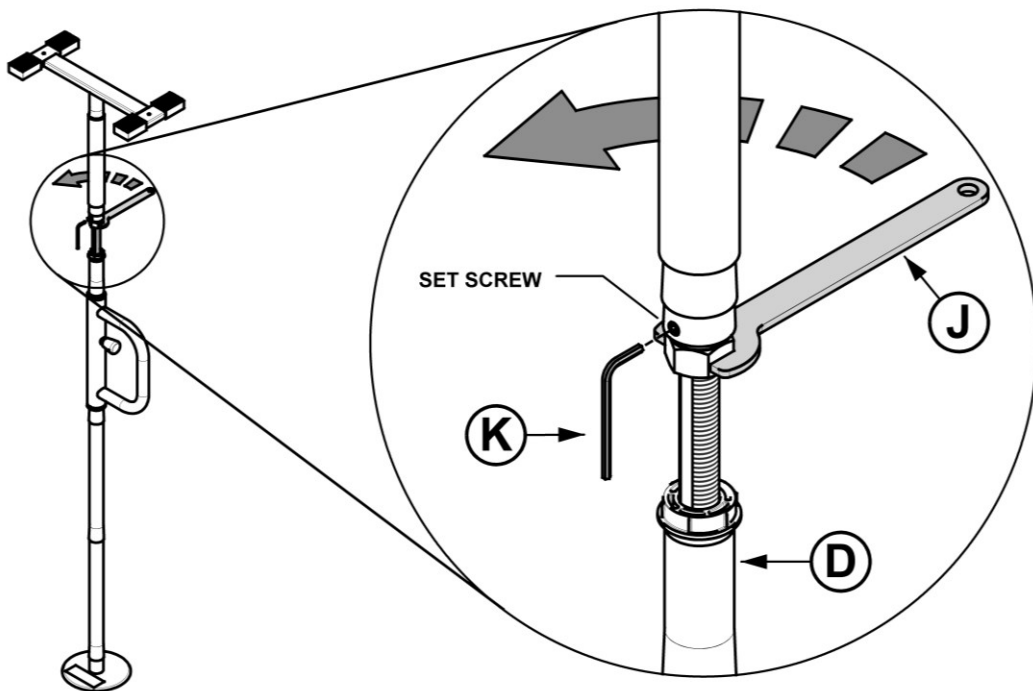


FIGURE 4

5. To rotate, pull Knob towards handle and rotate **C** to desired location as shown in *FIGURE 5*. Release Knob and rotate **C** until pin locks into place.

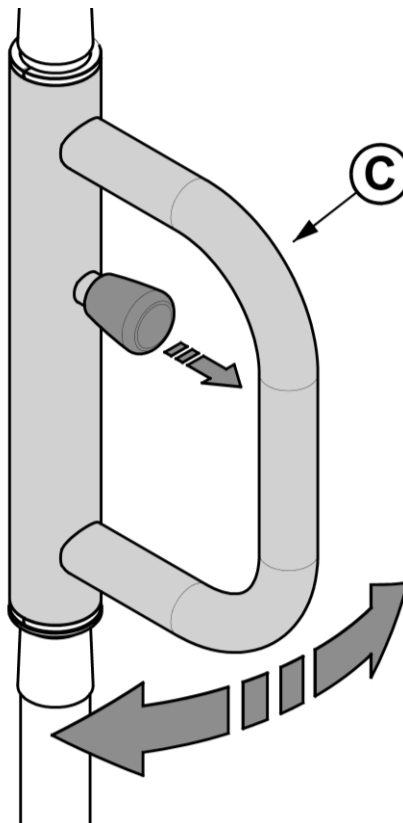


FIGURE 5

6. **OPTIONAL:** Use provided Screws **L** to fix Top **I** to the ceiling ensuring both Screws **L** go into the Ceiling Joists as shown in *FIGURE 6*.

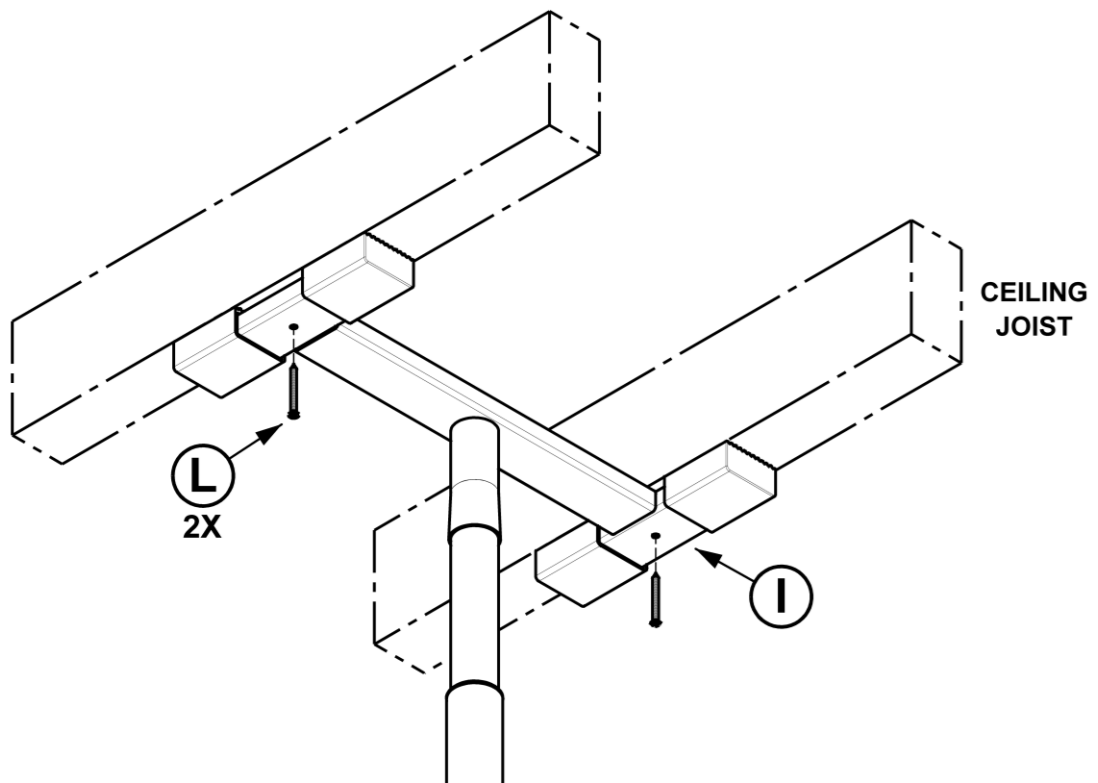


FIGURE 6